



## SWIFTSEAL 4 & 5 PANEL FOLDING OVER-BATH SCREEN FITTING INSTRUCTIONS

**Please read these fitting instructions before installing, as incorrect fitting will invalidate the guarantee.**

### PLEASE CHECK THAT:-

- There are no electrical cables or pipe work behind the surface where drilling is required to fix the screen to the wall.
- The wall to which the screen is to be fitted is reasonably flat and that the bath is level and stable.
- The dimensions of the bath are suitable for the bath screen (see product dimensions below)
- There are no discernible visible defects. Claims for returns will not be accepted for visible defect found after installation.
- The bath is adequately sealed to the adjacent wall before the bath screen is fitted. Correct sealing is essential – please follow the instructions.
- The rim of the bath slopes inward, which will ensure that any water running off the screen will drain into the bath.
- There are no obstructions to prevent the screen from swivelling on its hinges.
- Your guarantee is validated by attaching the identification label found on the unit and / or box and posting back to Manhattan Showers. These details are essential when calling our technical department.
- Warm soapy water must be used when cleaning this product.

### IMPORTANT

**Ensure that the proposed location for the screen is suitable, prior to fitting.**

The screws and wall plugs provided are for use on masonry type walls. If the screen is to be fitted on another type of wall, eg. Plasterboard, then the appropriate fixings should be obtained.



### SCREEN DIMENSIONS IN STORED POSITION (FOR 4 & 5 PANEL BATH SCREENS)

DEPTH 92 mm  
WIDTH 215 mm

### TOOLS REQUIRED

Power or hand drill  
6.5mm masonry drill bit  
Spirit level  
Posidrive screwdriver

### PRODUCT DIMENSIONS

Refer to outer packaging for product details.

### MATERIALS REQUIRED

Silicone rubber sealant  
(not supplied)

Product Type	Maximum Opening
4 Panel -	780 mm
5 Panel -	950 mm

## COMPONENT CHECK LIST

(For 4 & 5 Panel Bath-Screen, 5 Panel shown)

- |   |                         |
|---|-------------------------|
| 1 Bath screen assembly                  | (A)                     |
| 1 Wall channel                          | (B)                     |
| 1 Swing down arm seal assembly          | (C)                     |
| 1 Wall channel extruded capping         | (D)                     |
| 1 Wall channel top cap (Right hand)     | (E)                     |
| 1 Wall channel top cap (Left hand)      | Not shown in Diagram 1. |
| 1 Screen upright top cap(Right hand)(F) |                         |
| 1 Screen upright top cap (Left hand)    | Not shown in Diagram 1. |
| 1 End panel upright top cap             | (G)                     |
| 3 No. 8 x 32mm panhead screws           | (H)                     |
| 3 No. 8 x 9.5mm panhead screw           | (I)                     |
| 4 Wall plugs                            | (J)                     |
| 1 No. 6 x 16mm countersunk screw        | (K)                     |
| 2 Pivot bush                            | (L)                     |
| 1 No. 8 x 32mm countersunk screw        | (M)                     |
| 2 Plastic spacer washers                | (N)                     |
| 1 Screw cap ring                        | (O)                     |
| 1 Wall catch magnet                     | (P)                     |
| 1 Wall catch cap                        | (Q)                     |
| 3 Steel washer                          | (R)                     |

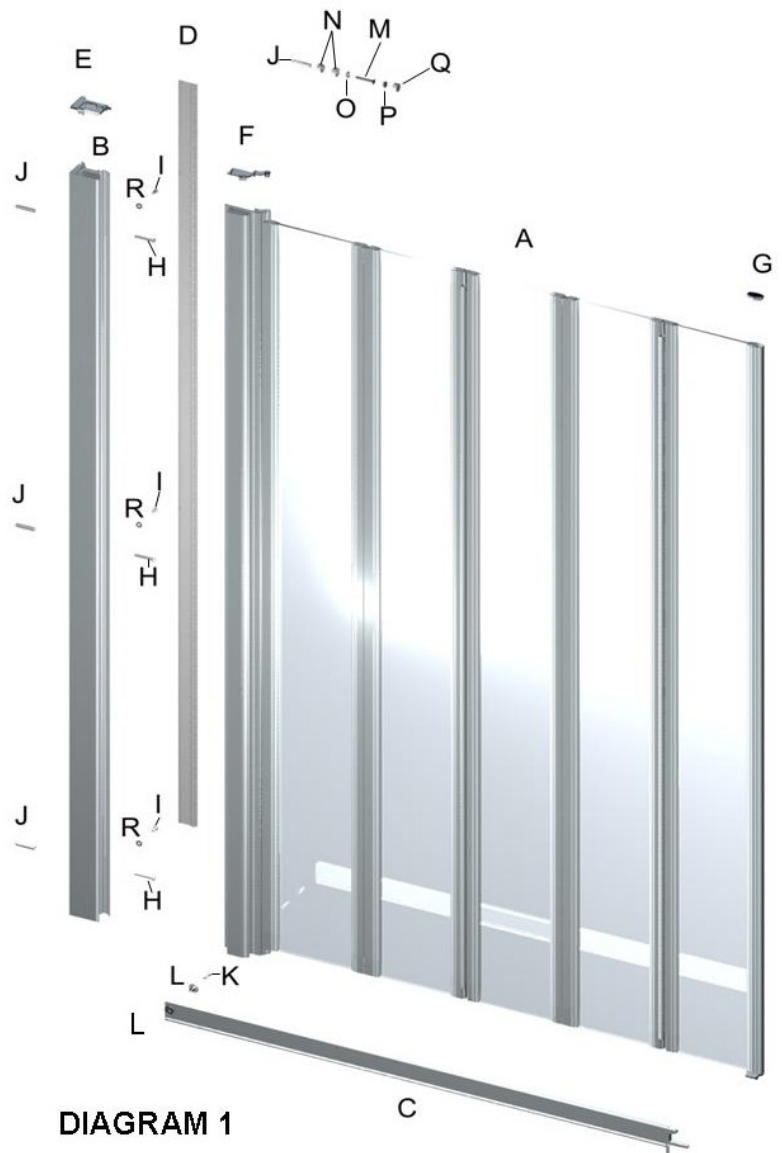


DIAGRAM 1

## FITTING INSTRUCTIONS SWIFTSEAL 4 & 5 PANEL BATH SCREENS

1. Assemble the bath screen for left or right hand operation. The bath screen is supplied as **(Diagram 1)** for right hand entry, if the opposite hand is required, proceed as follows. Remove the swing down arm seal assembly **(C)** from the screen upright and reposition at the opposite end of the screen upright. Do not over tighten fixing screw **(K)**.

2. To mark position of wall channel on wall, attach wall channel **(B)** by sliding onto the bath screen assembly **(A)** temporarily using screws **(I)** provided.

3. Position the bath screen assembly on the rim of the bath, ensuring that wall channel is vertical using spirit level. Note: Correct position should be far enough in from the edge of the bath so that the swing down seal arm **(C)** when lowered, sits on a flat surface, but not so far over that the bath screen interferes with the



DIAGRAM 2



DIAGRAM 3

taps on the bath. Mark the desired position on the wall at the base of the wall channel

**(Diagram 2).**

4. Remove the wall channel from the bath screen assembly and reposition it against the wall, using the marks made previously. Check that the wall channel is vertical, using a spirit level and mark the drill positions through the three fixing slots

**(Diagram 3).**

5. Drill three fixing holes through wall using a 6.5mm masonry drill bit.

**Note:** *When drilling ceramic tiles, it can be an advantage to cover the tiles with adhesive tape prior to marking and drilling.*

*We recommend that suitable eye protection is be worn when using power tools.*

6. Run a bead of silicone sealant down the back of the wall channel. **(Diagram 4).** Securely fasten the wall channel to the wall, using the wall plugs **(J)** and screws **(H)** provided. The adjustment slots should be facing towards the inside of the bath. Apply a narrow bead of sealant to the base of the wall channel **(Diagram 5).**

**Note:** *If the wall is not a masonry type, alternate fixings should be obtained, together with the relevant instructions for their use.*

7. Fasten the bath screen assembly **(A)** to the wall channel **(B)** using the screws **(I)** and washers **(R)** provided. Adjust the bath screen assembly by sliding it into or out of the wall channel, to ensure that sufficient contact is made between the swing down arm seal assembly **(C)** and the rim of the bath. To seal correctly, moderate pressure should be applied to the "PRESS" end of the "V groove casting" at the end of the swing down arm seal assembly, before pulling over the retaining catch on the bottom end of the bath screen assembly to locate in the "V groove casting"

**(Diagram 8).**

After final adjustments have been made tighten up the three screws **(I)** and fit wall channel extruded capping **(D)** into wall channel **(B)** **(Diagram 1).**

8. With the swing down arm seal **(C)** raised, apply a narrow bead of sealant to the outside faces of the wall channel, the screen upright and the bath **(Diagram 6).**

9. Fit wall channel, screen upright and end panel upright top caps **(E)**, **(F)** and **(G)** **(Diagram 1).**

10. Finally fit "Wall magnetic catch" to retain bath screen assembly in folded position against the wall. Place wall catch magnet **(P)** in wall catch cap **(Q)** and position outer face of cap against end panel top casting (On the 5 panel bath screen this is located against the wall channel, whilst on the 4 panel bath screen this is located at the opposite end, away from the wall channel). The wall channel magnet will be attracted to the magnet in the casting, in the bath screen assembly, if it is repelled flip over wall catch magnet **(P)**. Carefully mark centre of magnet position correctly on the



**DIAGRAM 4**



**DIAGRAM 5**



**DIAGRAM 6**



**DIAGRAM 8**

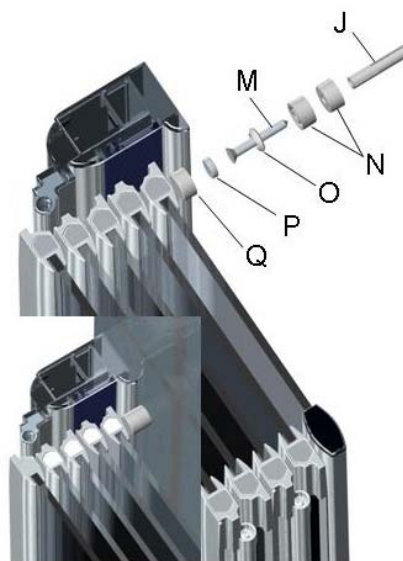
wall. Drill fixing hole using a 6.5mm masonry drill bit.

**Note:** *When drilling ceramic tiles, it can be an advantage to cover the tiles with adhesive tape prior to marking and drilling.*

*We recommend that suitable eye protection is worn when using power tools.*

Using wall plug (**J**) and countersunk screw (**M**), screw through plastic spacer washers (**N**) (If spacer(s) are required) and screw cap ring (**O**) then clip Wall catch cap (**Q**) with wall catch magnet (**P**) retained within, over screw cap ring (**O**) (**Diagram 1 & 7**).

11. To open bath screen; pull down swing down arm seal from its upright parking position until it is seated horizontally on the side of the bath. Fully unfold bath screen until it is straight and in line. Press down catch with "V" groove at end of swing down arm assembly, then pull over retaining catch at the bottom end of the bath screen assembly to locate in "V" groove casting. Ensure that base of bath screen is seated straight against swing down arm seal (**Diagram 8**). To fold away bath screen; release catch by pressing down, fold bath screen and pivot away from side of bath. Raise swing down arm seal into vertical parking position, in recess in screen upright, of bath screen assembly.



**DIAGRAM 7**

## TROUBLE SHOOTING

### **Problem**

Unable to fasten the retaining catch to the swing down arm seal.

### **Cause**

Screen not adjusted correctly.

In order for the bath screen to operate correctly, it is important that the adjustment operation in item 7 is carried out to the best advantage.

### **Problem**

Panels do not sit against the arm.

### **Cause**

Gently pull in panels towards the arm, allowing magnets to hold & attract bath screen.

### **Problem**

Retaining catch on swing down arm seal requires heavy pressure to fasten to bath screen.

### **Cause**

Screen not adjusted correctly.

In order for the bath screen to operate correctly, it is important that the adjustment operation in item 7 is carried out to the best advantage.

If problem persists, lightly lift up underneath of bath screen at catch end, whilst pressing down catch on swing down arm seal.